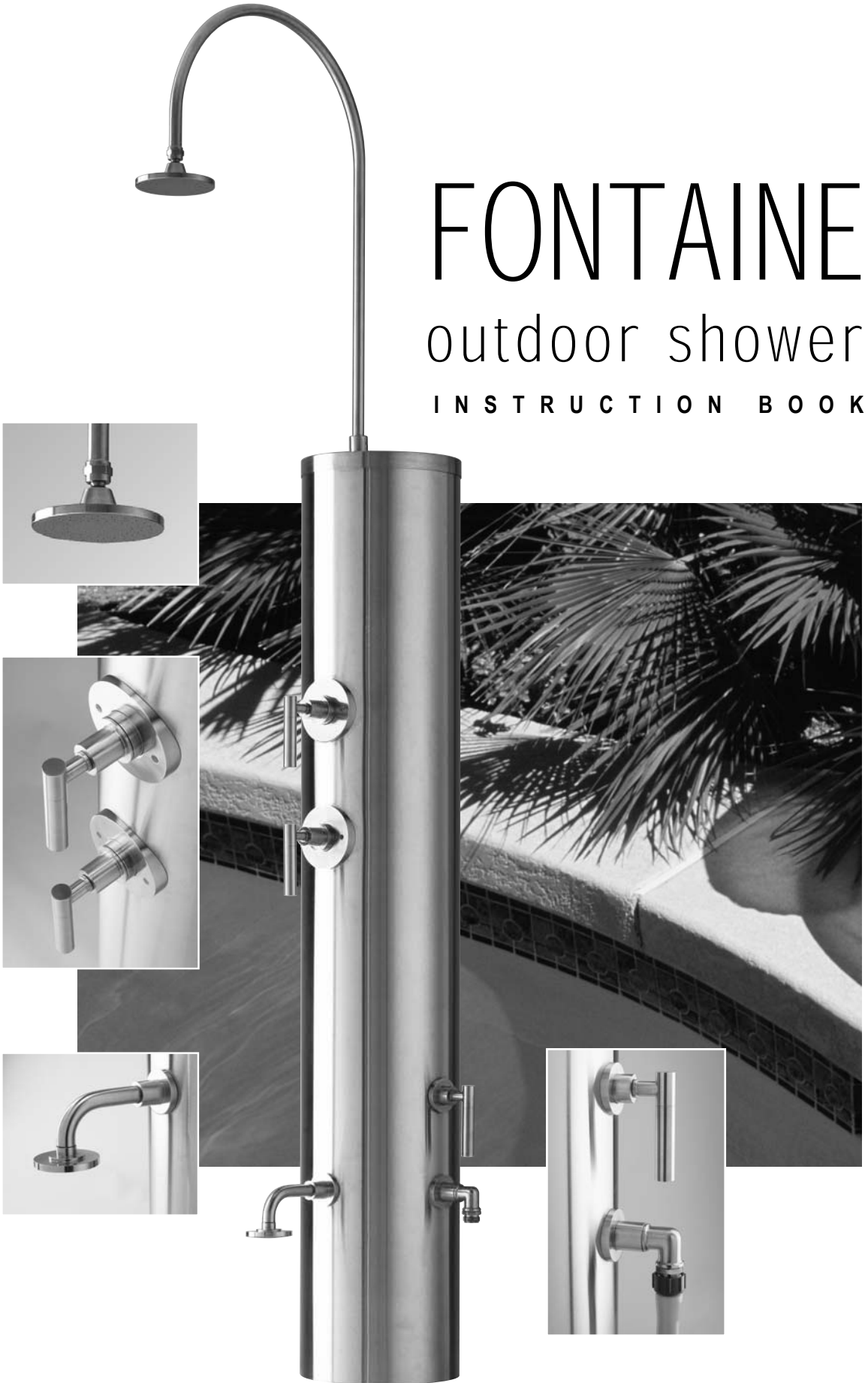


*the* RUBINET FAUCET COMPANY

# FONTAINE

outdoor shower

INSTRUCTION BOOK



# FONTAINE

---

outdoor shower

## INTRODUCTION:

The Fontaine Outdoor Shower is designed for outdoor use only. The following pages contain recommendations for installation and maintenance of the unit. However, local building and bylaw regulations should take precedence over the recommendations outlined in this book.

### BEFORE INSTALLATION

Before installing your Fontaine Outdoor Shower please read this book carefully and make sure you fully understand all requirements for proper installation. If you have further questions, please do not hesitate to call Rubinet for clarification and or your local building authority.

### INSTALLATION & MAINTENANCE

Careful consideration should be given as to the location and orientation of the unit. Hot and cold water supply lines will have to be installed and set in the concrete foundation required to properly install the unit (See Page 1).

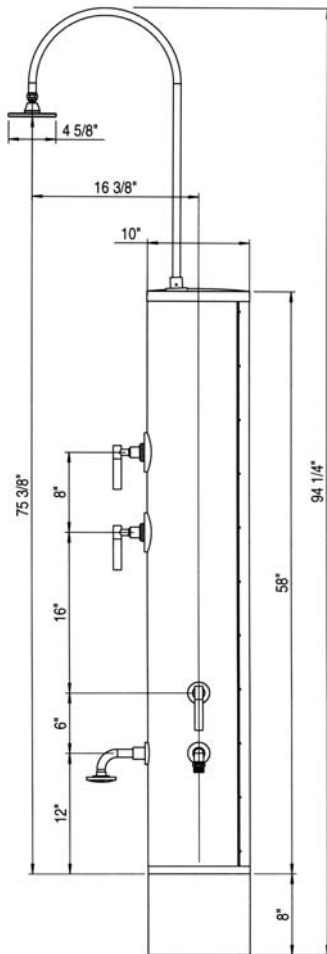
The Fontaine Outdoor Shower is shipped with the Shower Hoop unattached and should be assembled only after the main unit itself has been successfully installed in the desired location (See Page 2).

The Fontaine Outdoor Shower is equipped with Pressure Balance (PRBL) valves. Internal filter screens prevent debris from obstructing the pressure balancing cartridge. Excessive accumulation of debris will cause a noticeable decrease in water flow from the valve. Regular maintenance of these valves is required for optimal performance (See pages 3 and 4).

Also, each unit is equipped with a Hose Connector with a separate shut off valve (See page 3 for maintenance instructions).

### NORTHERN CLIMATES:

If installing the Fontaine Outdoor Shower unit in northern climates, special care should be taken to prevent freezing and consequent damage to the unit (See page 5).



# FONTAINE

## outdoor shower

### Concrete Foundation

Before installing the Fontaine Outdoor Shower, careful consideration should be given to the location, orientation of the unit, its proximity to a water supply and how it will be used. For the purposes of this book, the shower head, pressure balance valves and foot shower are considered to be facing the front of the unit. (See illustration top left)

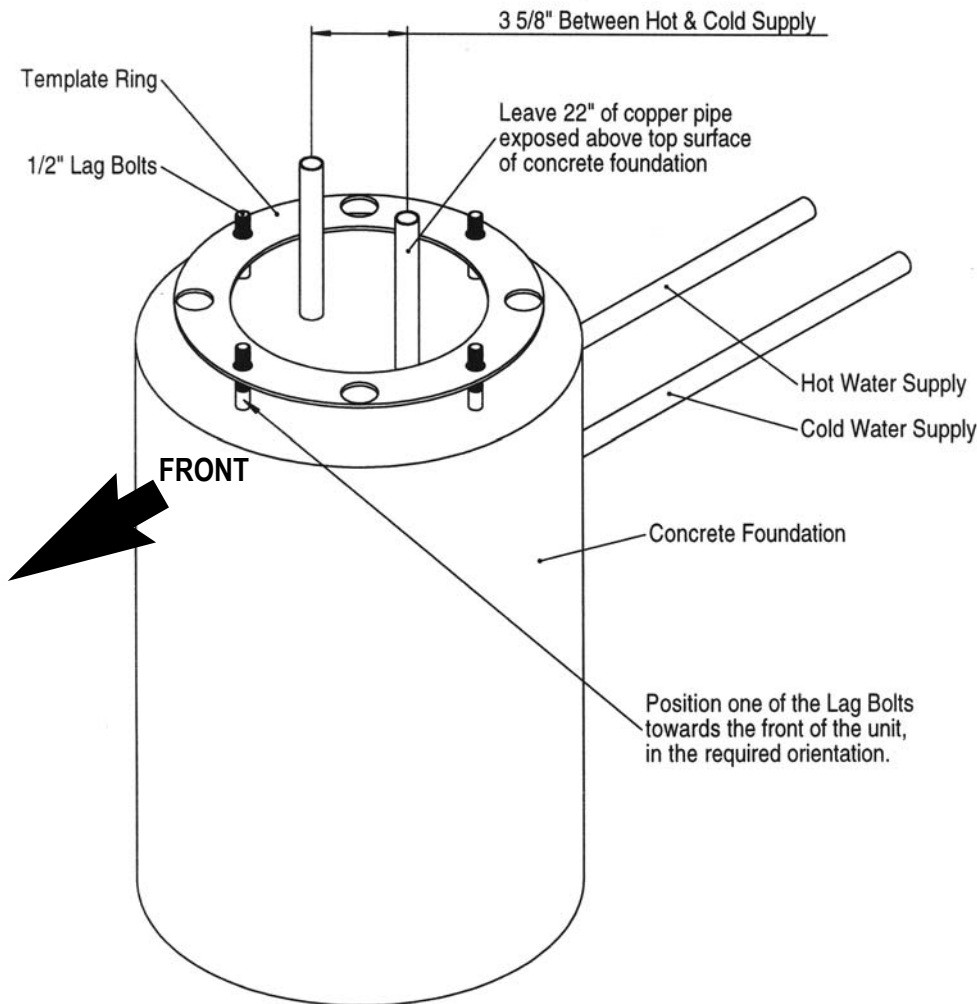
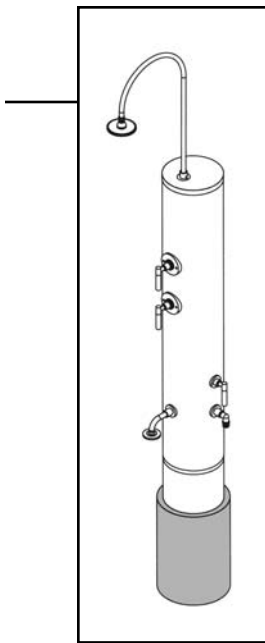
The unit must be installed on a concrete foundation. Check with local building codes and bylaws before proceeding.

Hot and cold 1/2" copper water supply pipes need to be embedded into the foundation 3 5/8" apart so that the hot pipe is on the left and the cold pipe is on the right and protrude up through the top of the foundation (See Illustration).

22" of copper pipe should clear the top of the foundation to allow for connection to interior plumbing. We recommend that you flush the supply lines before connecting to the interior plumbing to clean out any debris.

The 8" base is designed to allow for your choice of ground base material and still allow access to the back of the unit through the access panel. How deep you install the concrete foundation will be determined by the ground base material you choose.

Supplied with each unit is a template ring which exactly matches the base ring of the interior frame. Use this template to position four 1/2" lag bolts required to properly secure the unit on to the concrete foundation.



# FONTAINE

## outdoor shower

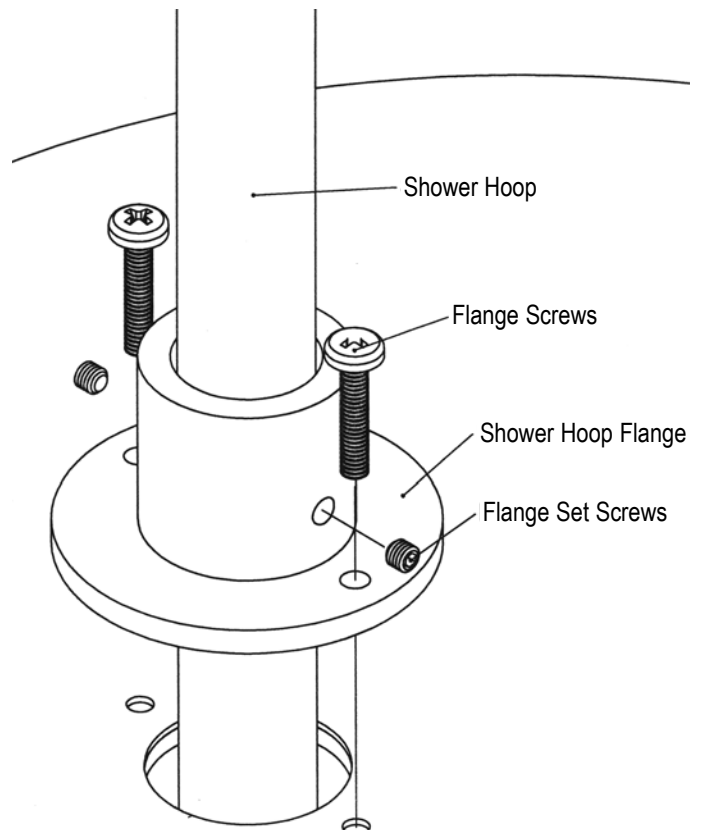
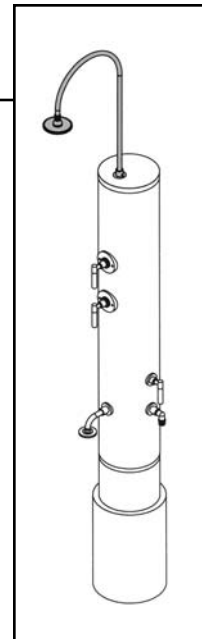
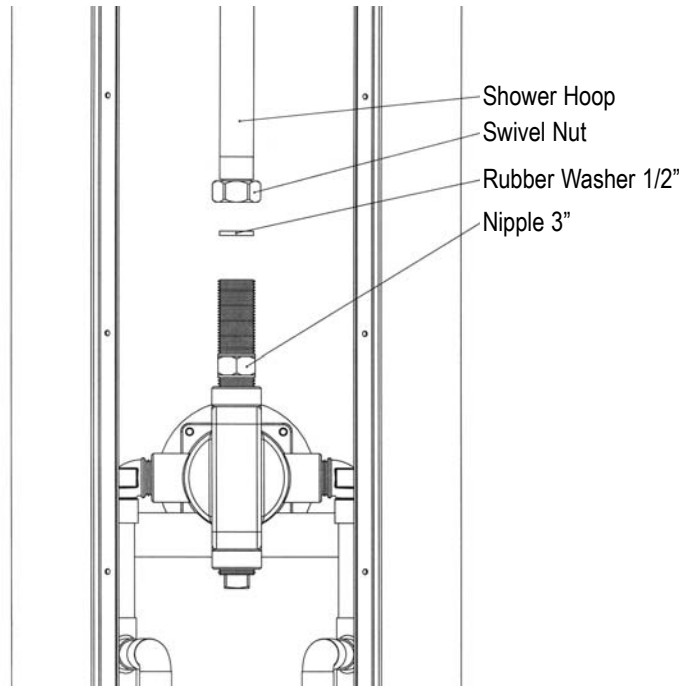
### Shower Hoop Installation

The Fontaine Outdoor Shower is shipped with the Shower Hoop unattached.

**We recommend that you assemble the Shower Hoop after you have installed the main unit on its concrete foundation (See Page 1).**

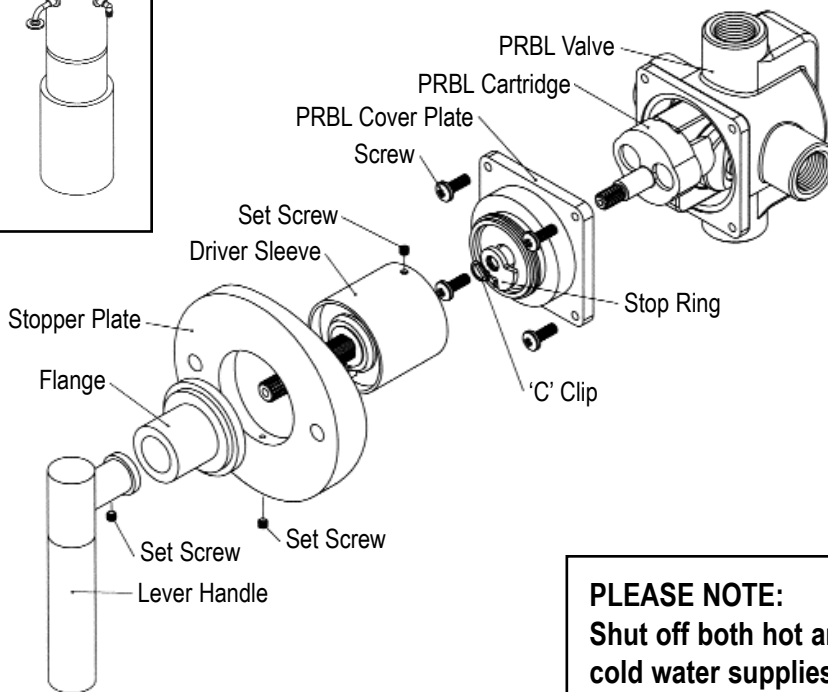
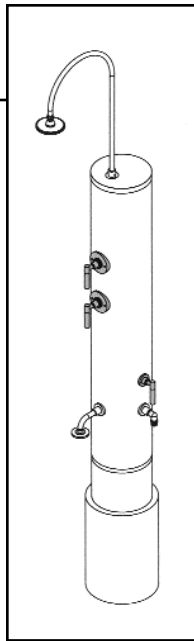
The Shower Hoop is shipped with the Flange already installed (shown in the lower illustration). Do not try to remove it. Follow the steps below to install the Shower Hoop.

- 1: Remove the Access Panel at the rear of the unit.
- 2: Remove the Shower Hoop Flange screws from the top of the unit. (Shown in the lower illustration).
- 3: Loosen the two Shower Hoop set screws so that the flange moves freely up and down the hoop.
- 4: Feed the Shower Hoop through the hole in the top of the unit.
- 5: Place the 1/2" Rubber Washer (supplied) inside the Swivel Nut and screw the Shower Hoop onto the 3" Nipple making sure the shower head faces front.
- (See illustration top right).
- 6: Position the Shower Hoop Flange so that it sits flush on the unit cap and secure using the two Flange Screws previously removed. Tighten the two Flange Set Screws to prevent the Shower Hoop from turning.
- 7: Replace the Access Panel using all 22 screws, 11 each side (supplied).

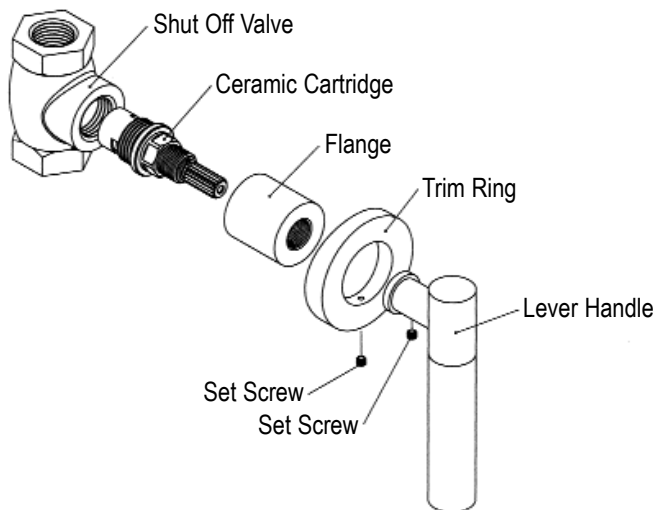


# FONTAINE

## outdoor shower



**PLEASE NOTE:**  
Shut off both hot and cold water supplies before servicing these valves.



### Pressure Balance Valves

The Fontaine Outdoor Shower is fitted with two Pressure Balance Valves. One controls the Shower and the other the Foot Shower. The illustration to the left shows how to disassemble these valves.

First loosen the Set Screw in the Lever Handle and remove the handle, then unscrew the Flange and remove it. To remove the Stopper Plate, loosen the Set Screw at the bottom of the Plate and slide it off the Driver Sleeve. Next locate and loosen the Set Screw which holds the Driver Sleeve in position and unscrew counter clockwise to remove it.

The Pressure Balance Valve should now be completely exposed inside the unit. To access the PRBL Cartridge inside the valve first remove the small "C" Clip and Stop Ring from the cartridge broach. Next remove the four PRBL Cover Plate screws and carefully remove this plate. To remove the cartridge, simply pull it out.

**PLEASE NOTE:**  
Replace the cartridge the same way it was installed, with the **HOT** side to the left and **COLD** to the right. The letters 'H' and 'C' can be found on the side of the cartridge.

For instructions to remove and clean the filter screens see Page 4.

### Hose Bib Shut Off Valve

To remove the cartridge from the Hose Connector Shut Off valve, first remove the handle by loosening the Set Screw. Then loosen the Set Screw holding the Trim Ring in place and remove it. Now unscrew the Flange counter clockwise thereby exposing the Ceramic Cartridge. Use a 17mm socket to remove the cartridge.

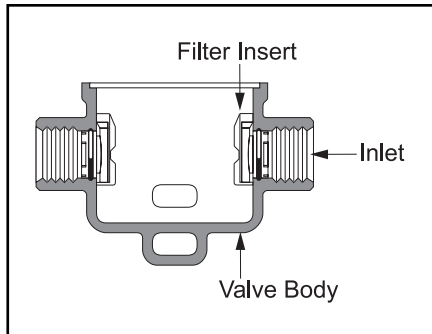
# FONTAINE

## outdoor shower

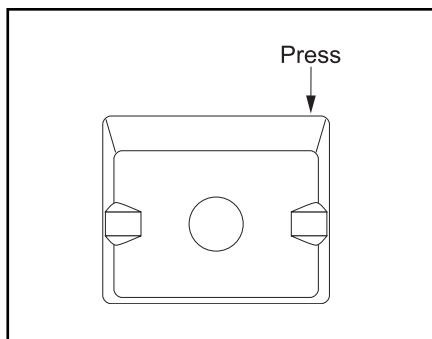
### Filter Screen Removal and Cleaning

**PLEASE NOTE: Shut off both Hot and Cold water supplies before servicing these valves.**

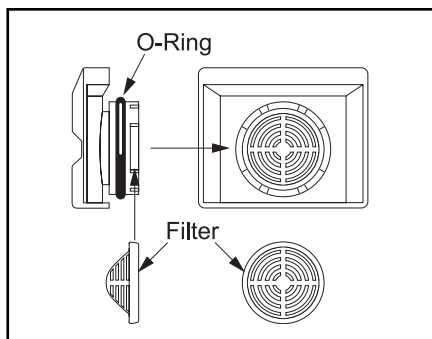
The Pressure Balance valves contained in this unit have filter screens that prevent debris from obstructing the pressure balancing cartridges. If excessive in-line debris accumulates in the filter screens you will notice a decrease in flow from the valves.



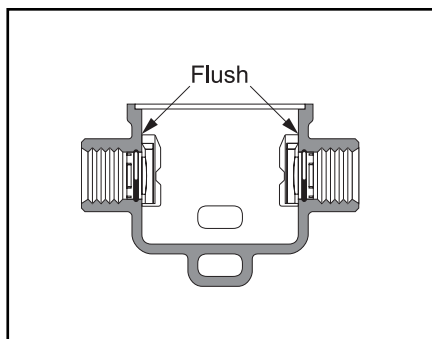
- 1**  
The filter screens are attached to an insert that is fitted into the valve body inlets. With the cartridge removed the 2 inserts and filter screens can be easily removed from the valve body.



- 2**  
Remove the insert by pressing the top corner. This will rotate the insert allowing easy removal from the valve body.



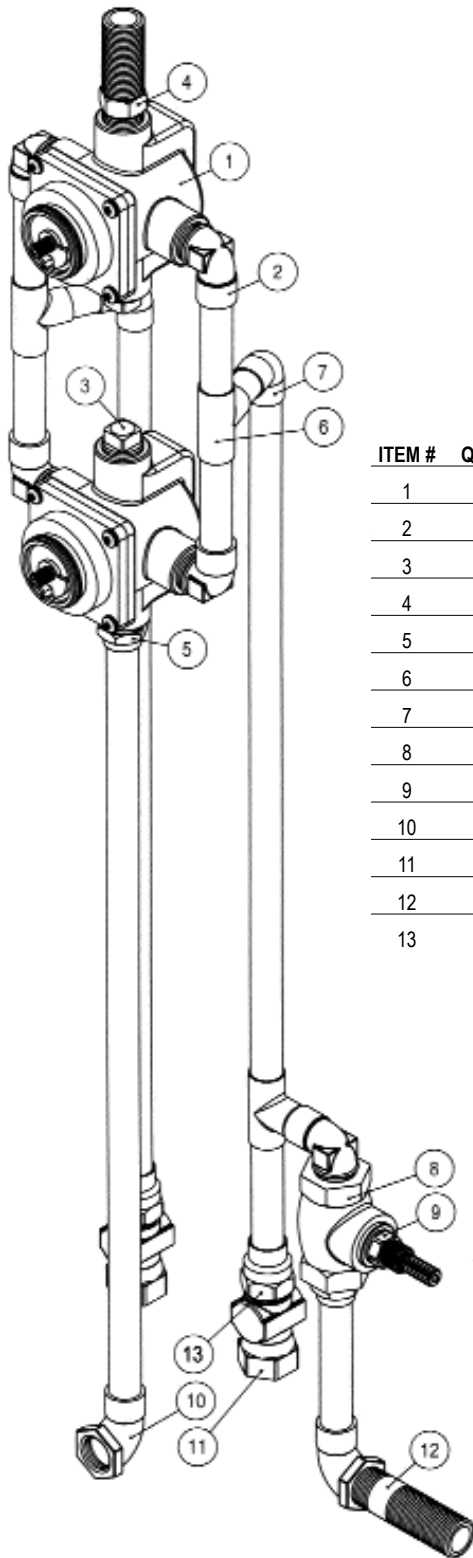
- 3**  
There is a place on either side of the filter insert where you can get your finger nail underneath the filter screen. By pulling the filter screen away from the insert it will "pop" out.  
All debris can now be easily removed from the filter screen. Replace the filter screen into the insert and push together gently until it clicks into place.



- 4**  
Place the insert back into the valve body, making sure the angled edge of the insert faces out. Be careful that the O-Ring stays in place, applying a little grease (vaseline) will help. The insert should sit flush against the wall of the valve body when properly installed.

# FONTAINE

outdoor shower



ITEM #	QTY	PART #	DESCRIPTION
1	2	9XVLVPB1B	Valve Pressure Balance
2	5	9XCPP901B	1/2" Male to Copper 90
3	2	9XVLBST1C	Plug Valve Wall Mount 1/2"
4	1	9XSHWSA1C	Nipple 1/2"NPT x 1/2" x 3"
5	2	9XCPPAD01	1/2" Male Pipe Adaptor
6	3	9XCPPAD04	1/2" Copper Tee
7	2	9XCPPAD03	1/2" Copper Elbow
8	1	9XVLVTC3B	Valve Shut Off Tee 1/2"
9	1	9XVLCSW1B	Cartridge Ceramic (16) Hot
10	2	9XCPP902B	1/2" Female to Copper 90
11	2	9XVLVPB3A	Valve PRBL Stop 1/2"
12	1	9XVLCSW3B	Nipple 1/2"NPT x 1/2" x 3" (No Hex)
13	2	9XCPPAD02	1/2" Female Pipe Adaptor

## Northern Climates

The same water that refreshes us during summer months becomes the enemy in winter. The simplest and most effective way to avoid freezing problems is to drain all traces of water in the unit and the water supply system. Do this at the end of each summer season.

### DO NOT WAIT FOR THE FIRST FROST

When installing a Fontaine Outdoor Shower in northern climates, provision must be made so that draining of water in the system is an easy operation. In addition, we recommend that you remove the **Pressure Balance Valve** cartridges and the **Hose Bib Shut Off** cartridge (See page 3).

## Internal Plumbing

The illustration to the left shows the major components inside your Fontaine Outdoor Shower. Most of the components can be purchased from your local Plumbing Supply store. However if you experience difficulty acquiring parts, please don't hesitate to call customer service at (800) 461-5901.

*the* RUBINET FAUCET COMPANY

141 Caster Avenue, Woodbridge, Ontario CANADA L4L 5Y8 Tel: (905) 851 6781 Fax: (905) 851 8031 Toll Free (800) 461 5901  
Email: [customer\\_service@rubinet.com](mailto:customer_service@rubinet.com) Web: [www.rubinet.com](http://www.rubinet.com)