

# Floor Mount Tub Filler 3FRBICL

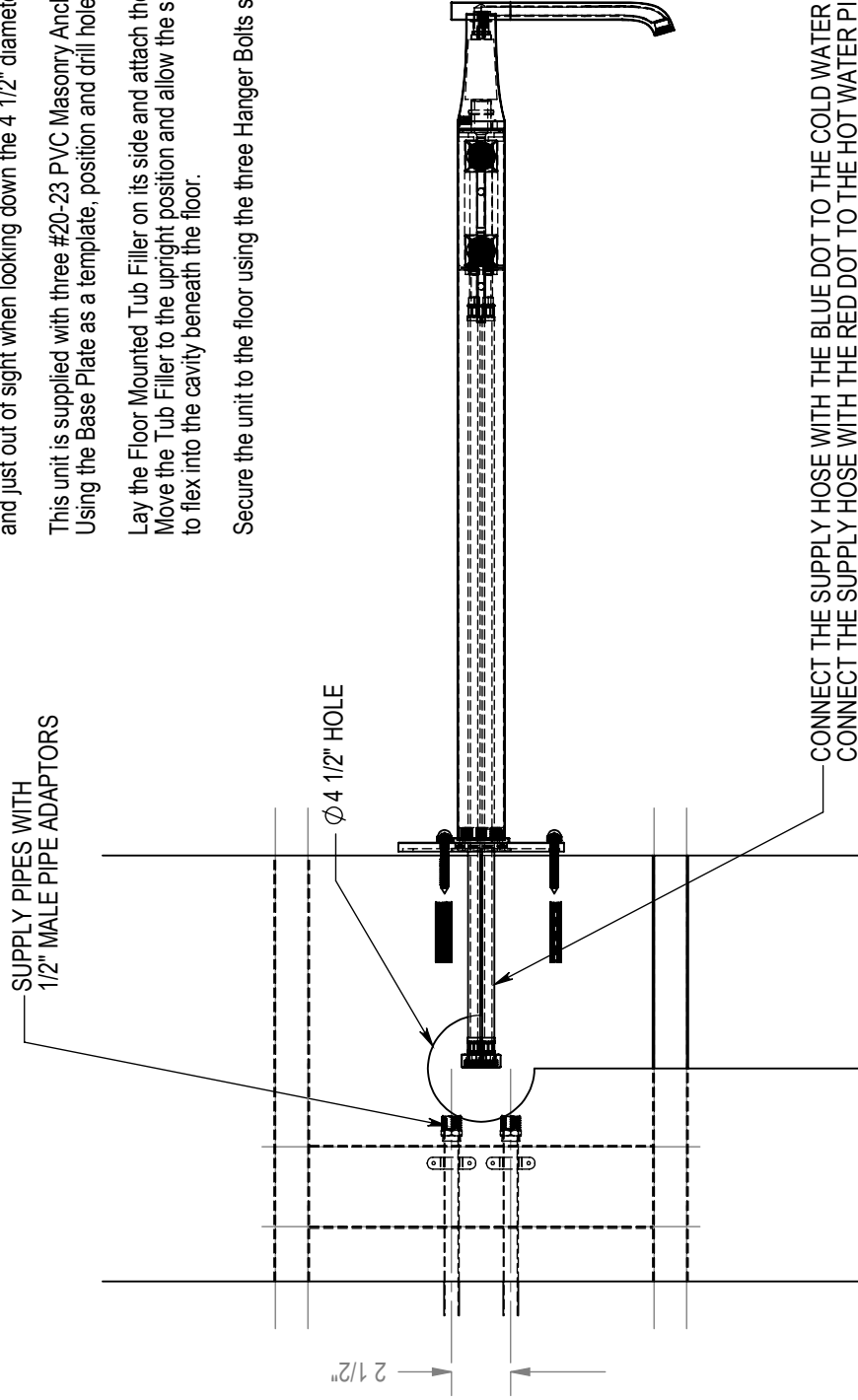
## INSTALLATION DETAILS:

Position the supply pipes as shown in the drawing. Approximately 2 1/2" apart, 4 1/2" below the finished floor surface and just out of sight when looking down the 4 1/2" diameter hole.

This unit is supplied with three #20-23 PVC Masonry Anchors 2 1/2" long. Using the Base Plate as a template, position and drill holes 15/32" or 7/16" in the floor.

Lay the Floor Mounted Tub Filler on its side and attach the supply hoses. Move the Tub Filler to the upright position and allow the supply tubes to flex into the cavity beneath the floor.

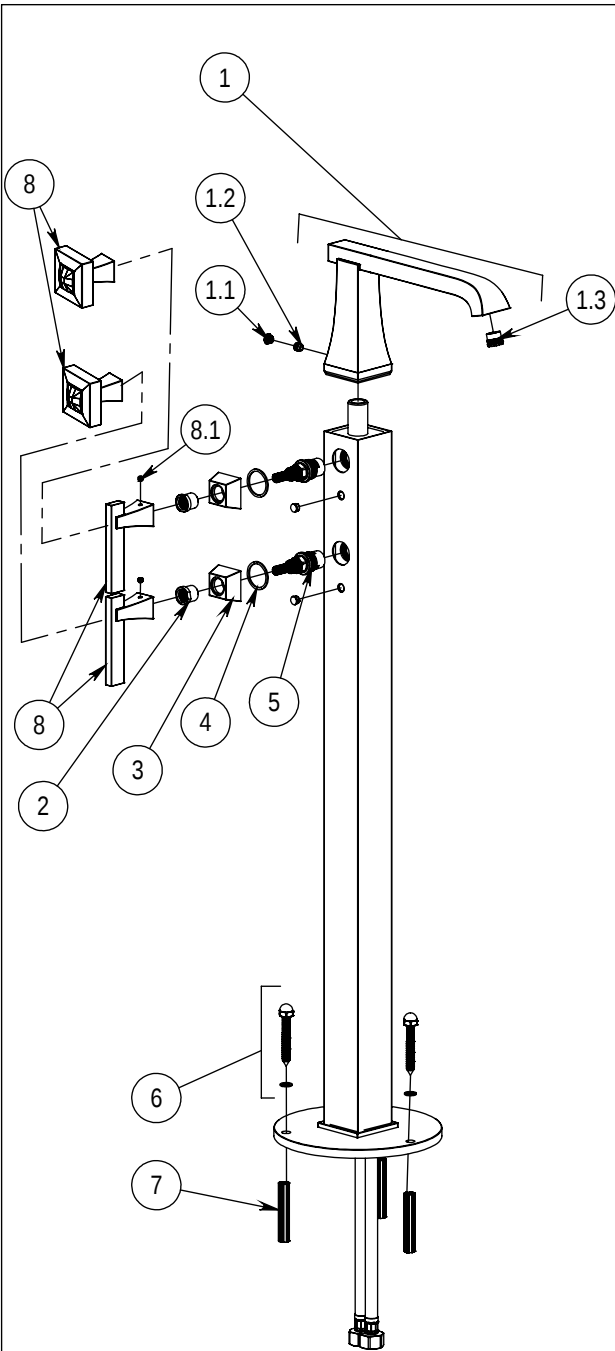
Secure the unit to the floor using the three Hanger Bolts supplied.



TEL: 905-851-6781  
FAX: 905-851-8031  
TOLL FREE: 800-461-5901

THE **Rubinet** FAUCET COMPANY

www.rubinet.com



ITEM NO.	PartNo	DESCRIPTION	3FRBICL/ QTY.	3FRBICQ/ QTY.
1	9Y0ICSR2A	Roman Tub Spout (Floor Mount)	1	1
1.1	9Y0ETHA1E	Handle Index Cap - ET	1	1
1.2	9XSCRSR06	Set Screw M8 x 1.25 x 8 MM	1	1
1.3	9XAERSR2B	Aerator Tub	1	1
2	9X0ICFA1B	Flange Tie Down	2	2
3	9Y0ICPD1D	Pedestal Handle Flange - IC	2	2
4	9XWSH0020	Gasket	2	2
5	9XVLC5W1B	1/2" Ceramic Disk Cartridge (Hot)	2	2
6	9Y0HOPD1E	Tie-down Bolt & Cap Nut	3	3
7	9X0HOPD1G	PVC Anchor (Floor Mount) - HO	3	3
8	9Y0ICHA1A 0000	Handle, Lever, Plain	2	-
	9Y0ICHA1A 00CL	Handle, Lever, Left, w/ Clear Crystals	2	-
	9Y0ICHA1A 00JT	Handle, Lever, Left, w/ Black Crystals	2	-
	9Y0ICHA3A 0000	Handle, Square, Plain	-	2
	9Y0ICHA3A 00CL	Handle, Square, w/Clear Crystal	-	2
	9Y0ICHA3A 00JT	Handle, Square, w/ Black Crystal	-	2
8.1	9XSCRHA11	Set Screw 8-32 UNC x 3/16"	1	1

To service/ replace Ceramic Cartridge (5):

1. Loosen Set-Screw (8.1) using 5/64" Allen Key ( supplied)
2. Remove Handle (8)
3. Unscrew Flange Tie Down Nut (2)
4. Remove Flange (3) and Gasket (4)
5. Unsrew Cartridge using 17 mm wrench (not supplied)
6. Replace parts in reverse order. Tighten Cartridge with 130 Lb-Inch torque. Do not overtighten.