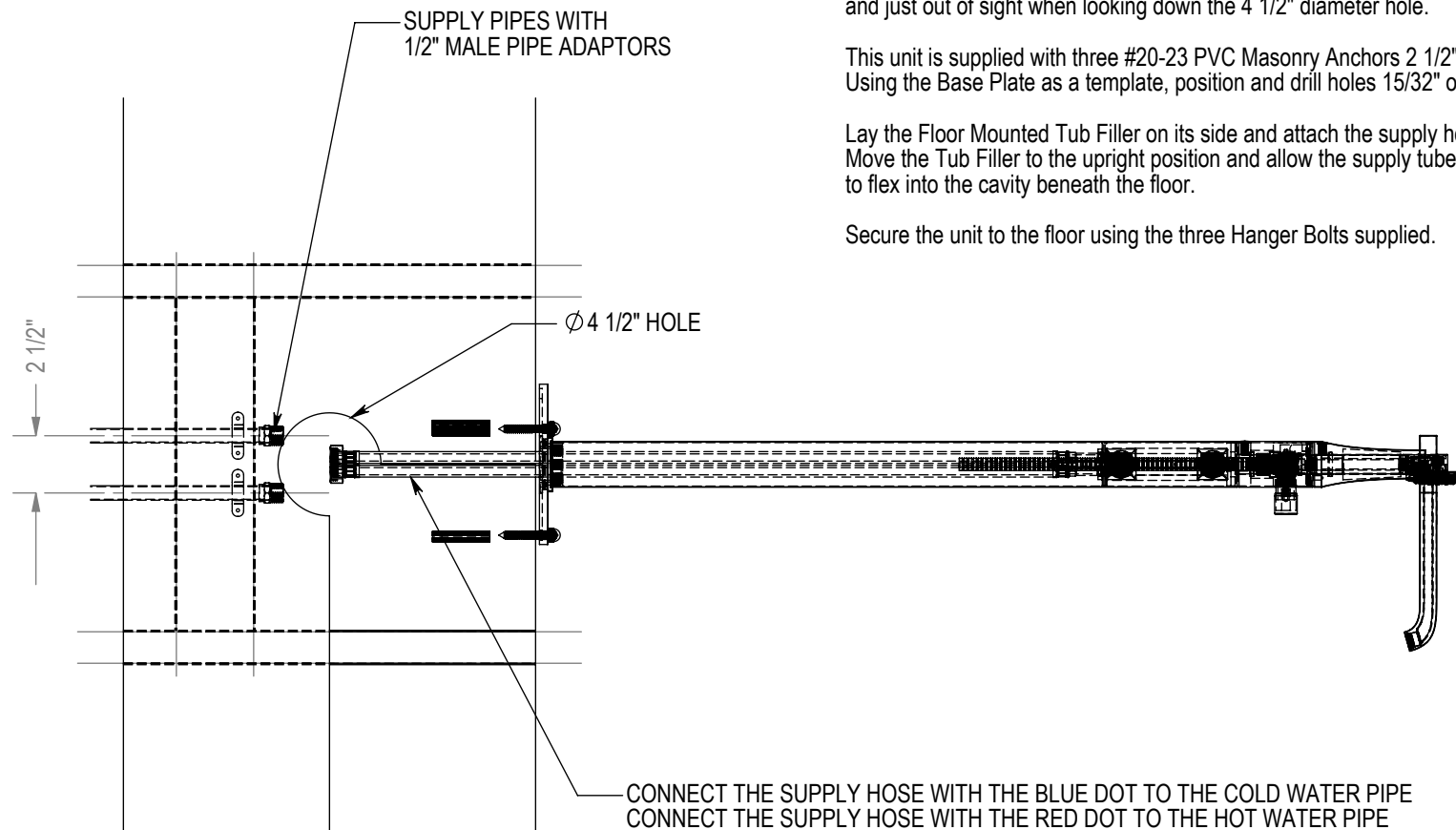


# Floor Mount Tub Filler 3GRBICL



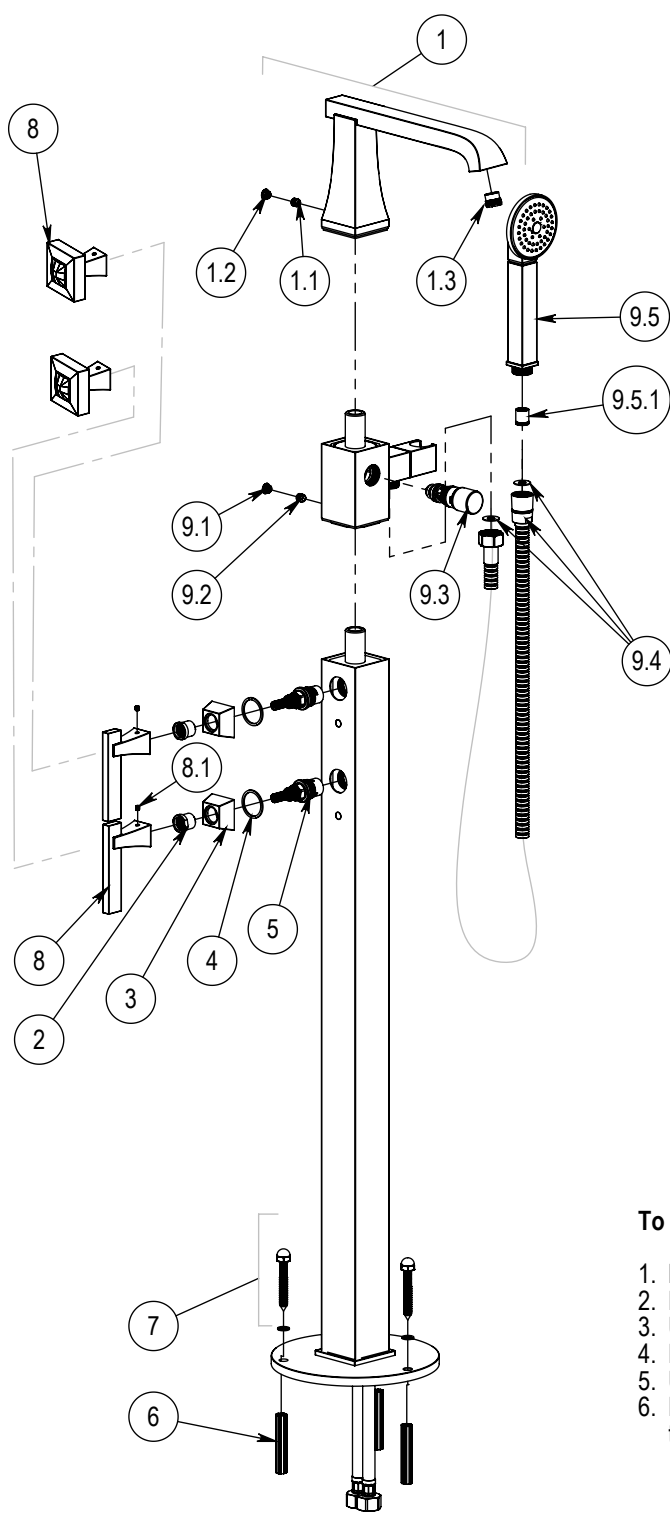
## INSTALLATION DETAILS:

Position the supply pipes as shown in the drawing.  
Approximately 2 1/2" apart, 4 1/2" below the finished floor surface  
and just out of sight when looking down the 4 1/2" diameter hole.

This unit is supplied with three #20-23 PVC Masonry Anchors 2 1/2" long.  
Using the Base Plate as a template, position and drill holes 15/32" or 7/16" in the floor.

Lay the Floor Mounted Tub Filler on its side and attach the supply hoses.  
Move the Tub Filler to the upright position and allow the supply tubes  
to flex into the cavity beneath the floor.

Secure the unit to the floor using the three Hanger Bolts supplied.



ITEM NO.	PartNo	DESCRIPTION	3FRBICL/ QTY.	3FRBICQ/ QTY.
1	9Y0ICSR2A	Roman Tub Spout (Floor Mount)	1	
1.1	9XSCRSR06	Set Screw M8 x 1.25 x 8 MM	1	
1.2	9Y0ETHA1E	Handle Index Cap - ET	1	
1.3	9XAERSR2B	Aerator Tub	1	
2	9X0ICFA1C	Flange Tie Down	2	
3	9Y0ICPD1D	Pedestal Handle Flange - IC	2	
4	9XWSH0020	Gasket	2	
5	9XVLCSW1B	1/2" Ceramic Disk Cartridge (Hot)	2	
6	9X0HOPD1G	PVC Anchor (Floor Mount) - HO	3	
7	9Y0HOPD1E	Tiewdown Bolt & Cap Nut	3	
8	9Y0ICHA1A 0000	Handle, Lever, Plain	2	-
	9Y0ICHA1A 00CL	Handle, Lever, Left, w/ Clear Crystals		
	9Y0ICHA1A 00JT	Handle, Lever, Left, w/ Black Crystals		
	9Y0ICHA3A 0000	Handle, Square, Plain	-	2
	9Y0ICHA3A 00CL	Handle, Square, w/Clear Crystal		
	9Y0ICHA3A 00JT	Handle, Square, w/ Black Crystal		
9	9Y0ICDV1A	Diverter Valve for Pedestal Tub Filler	1	
9.1	9Y0ETHA1E	Handle Index Cap - ET	1	
9.2	9XSCRSR06	Set Screw M8 x 1.25 x 8 MM	1	
9.3	9YVLCD1A	Diverter Valve Cartridge (Complete)	1	
9.4	9YFLH001A	Flexhose 1/2" x 1/2" F x 60CM	1	
9.5	9YHHSF6A	Hand Held ShowerOnly	1	
9.5.1	9XHHSKR1B	Hand Spray Check Valve	1	

**To service/ replace Ceramic Cartridge (5):**

1. Loosen Set-Screw (8.1) using 5/64" Allen Key ( supplied)
2. Remove Handle (8)
3. Unscrew Flange Tie Down Nut (2)
4. Remove Flange (3) and Gasket (4)
5. Unsrew Cartridge using 17 mm wrench (not supplied)
6. Replace parts in reverse order. Tighten Cartridge with 130 Lb-Inch torque. Do not overtighten.

**To service/ replace Handspray Check Valve (9.5.1):**

1. Disconnect Flexhose (9.4) from Hand Held Shower (9.5)
2. Pull down Check Valve (9.5.1) from the hand held shower.
3. Replace and connect parts in reverse order.