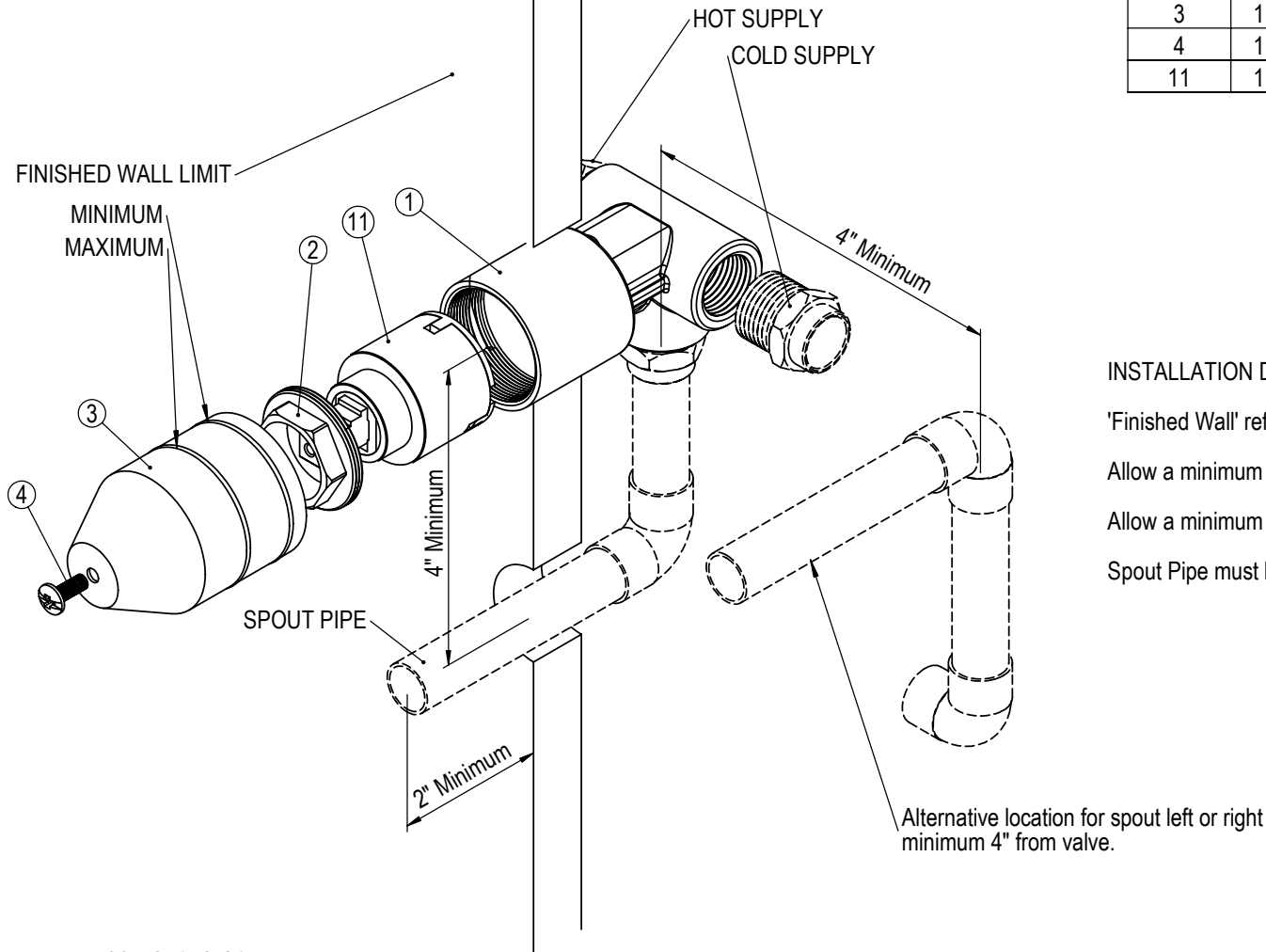


Rough-In Wall Mount Single Control Lavatory 1JRBR000



ITEM NO.	QTY.	PART NO.	DESCRIPTION
1	1	9XVLVLV1B	Valve Wall Mnt S/Control Lav
2	1	9X0LASK1C	Kit S/H Cart TieDownNut LA
3	1	9XVLVLV1C	SCWM Lav Mounting Jig
4	1	9XSCRHA05	Screw Handle M4 x .7 x 12mm
11	1	9XVLCBK01	Cartridge Ceramic Disk S/H

INSTALLATION DETAILS:

'Finished Wall' refers to the ultimate finished surface, Tile, Marble etc.

Allow a minimum of 4" between the valve (1) and the Spout Pipe.

Allow a minimum of 2" of Spout Pipe to protrude through the finished wall.

Spout Pipe must be 1/2" copper.

Alternative location for spout left or right
minimum 4" from valve.