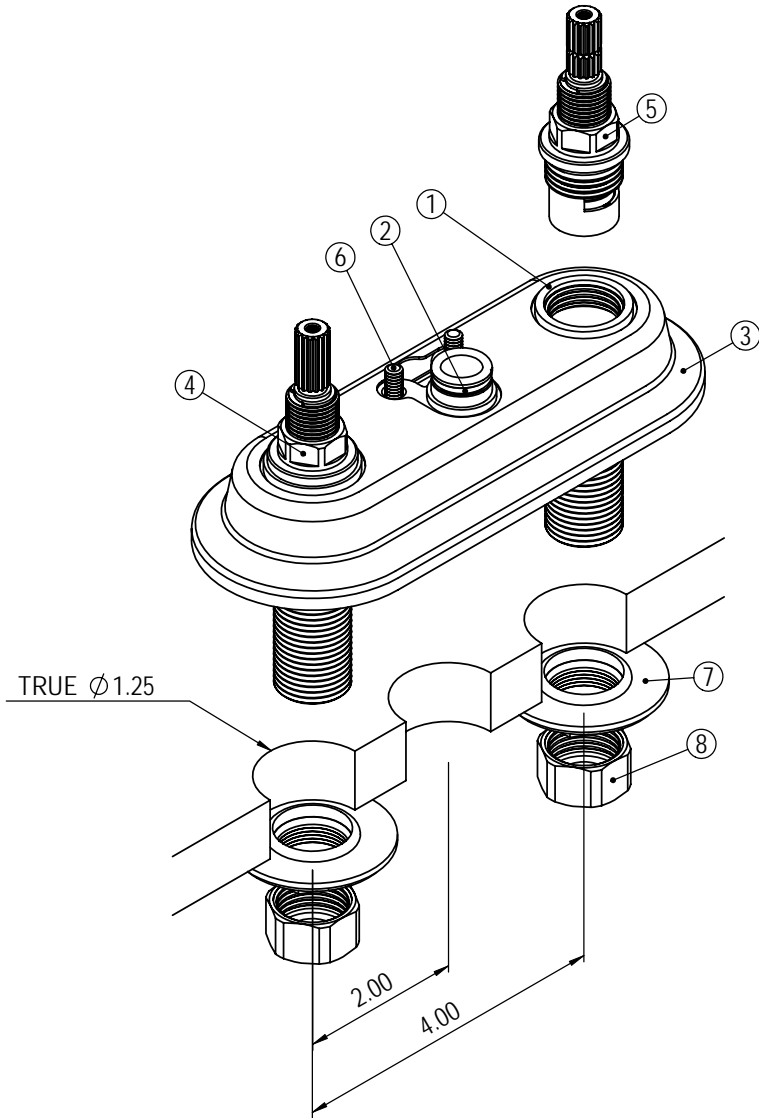


4" Center Lavatory with Pop-Up



ITEM NO.	QTY.	PART NO.	DESCRIPTION
1	1	9XVLBBL1B	4" Underbody LAV
2	1	9XORN0011	O-RING MB 1.78 - 12.22 MM
3	1	9Y0ETBL1B	4" Center Base ET
4	1	9XVLC SW1B	Cartridge Ceramic (16) Hot
5	1	9XVLC SW2B	Ceramic Cartridge (16) Cold
6	2	9XSCRBL01	Hex Socket Screw 10-24 x 1/2"
7	2	9XMNTSW2A	Mounting Kit 1/2"
8	2	9XVLMSW01	1/2" Nut Compression

NOTE:

Deck Hole Size 1 1/4"

Provide access panel for servicing

TEL: 905-851-6781
 FAX: 905-851-8031
 TOLL FREE: 800-461-5901

THE **Rubinet** FAUCET COMPANY

www.rubinet.com