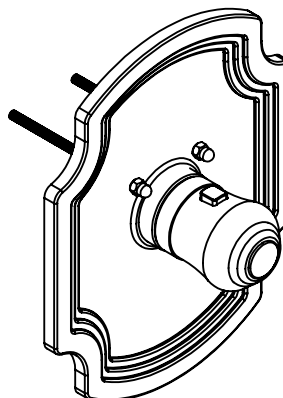


Features

- Brass construction with choice of 21 finishes
- Single handle control
- Temperature range from 15°C (59° F) to 60°C (140°F)
- Less Volume Control Shut-Off

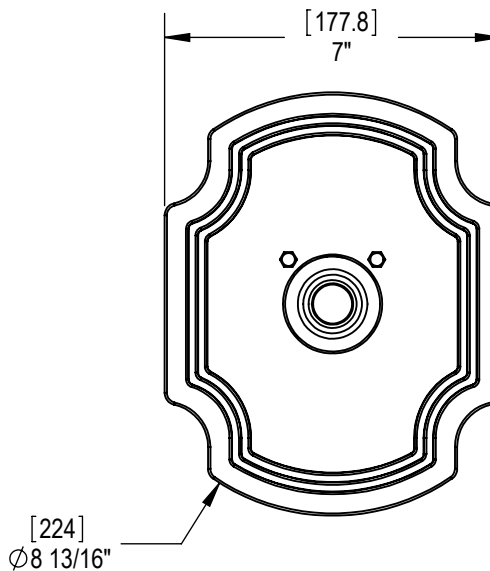
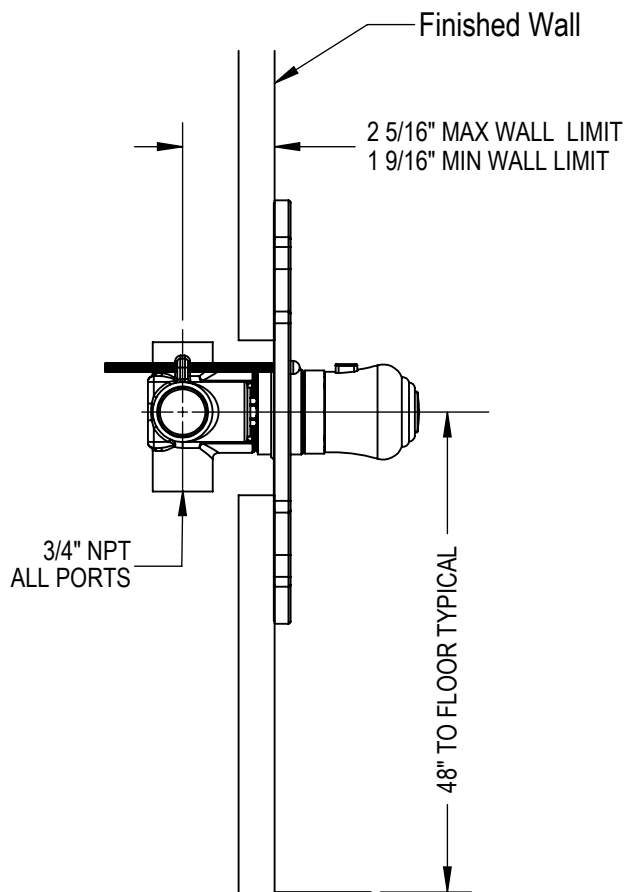
Order Matrix

Model	Main Finish
4DRBET0	AB - Antique Brass
	ABM - Antique Brass Matt
	AC - Antique Copper
	ACM - Antique Copper Matt
	BB - Bright Brass
	CH - Chrome
	GD - Gold
	OB - Oil Rubbed Bronze
	PN - Polished Nickel
	SB - Satin Brass
	SC - Satin Chrome
	SN - Satin Nickel
	TB - Tuscan Brass
	AQ - Aqua
	BD - Bordeaux
	BK - Black
	MB - Matte Black
	MW - Matte White
	NC - Natural Cream
	RD - Red
	WH - White



ETRUSCAN

3/4" Thermostatic Mixer Valve with Stops  
Model: 4DRBET0 XX-XX



Critical Dimensions

TEL: 905-851-6781  
FAX: 905-851-8031  
TOLL FREE: 800-461-5901

THE **Rubinet** FAUCET COMPANY

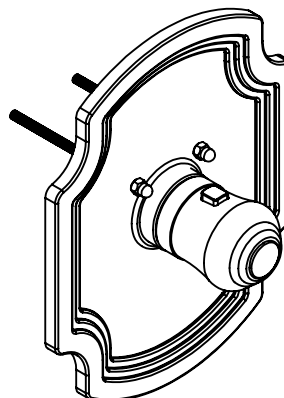
www.rubinet.com

Features

- Brass construction with choice of 21 finishes
- Single handle control
- Temperature range from 15°C (59° F) to 60°C (140°F)
- Less Volume Control Shut-Off

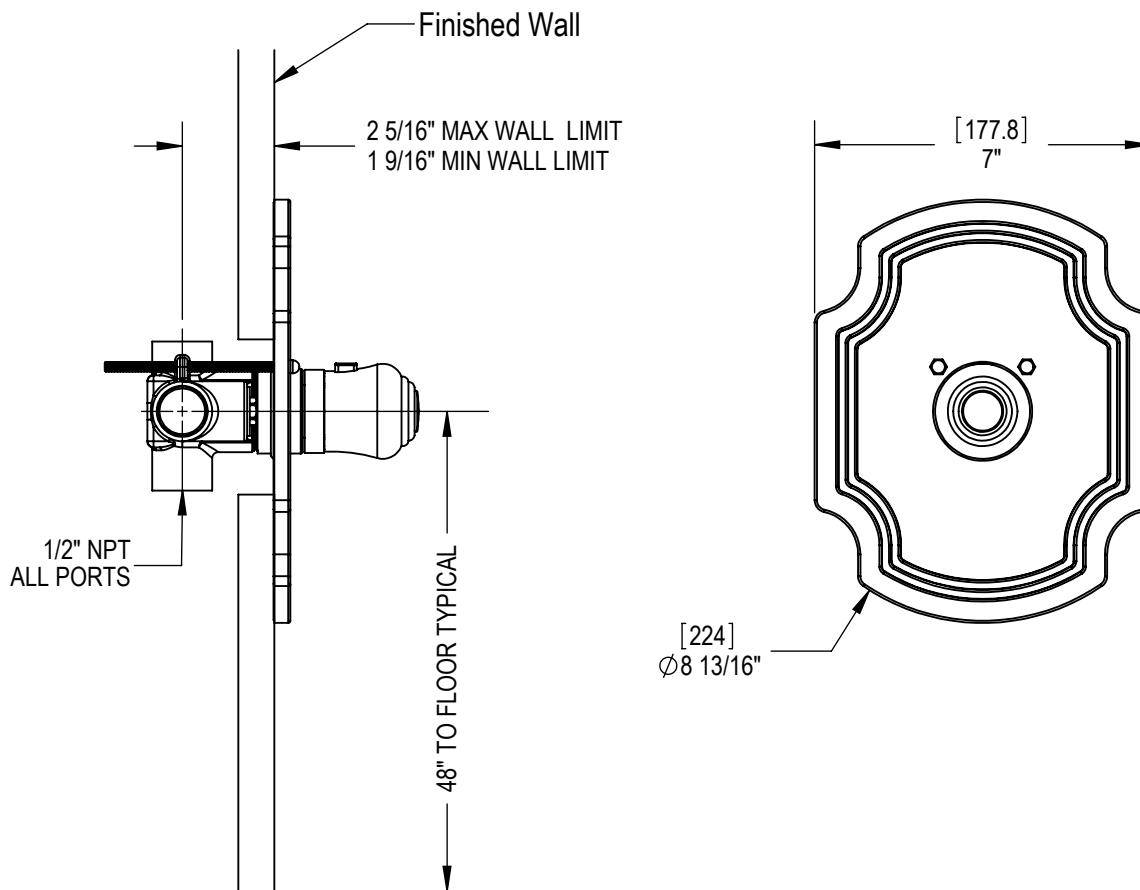
Order Matrix

Model	Main Finish
4MRBET0	AB - Antique Brass
	ABM - Antique Brass Matt
	AC - Antique Copper
	ACM - Antique Copper Matt
	BB - Bright Brass
	CH - Chrome
	GD - Gold
	OB - Oil Rubbed Bronze
	PN - Polished Nickel
	SB - Satin Brass
	SC - Satin Chrome
	SN - Satin Nickel
	TB - Tuscan Brass
	AQ - Aqua
	BD - Bordeaux
	BK - Black
	MB - Matte Black
	MW - Matte White
	NC - Natural Cream
	RD - Red
	WH - White



ETRUSCAN

1/2" Thermostatic Mixer Valve with Stops  
Model: 4MRBET0 XX-XX



Critical Dimensions