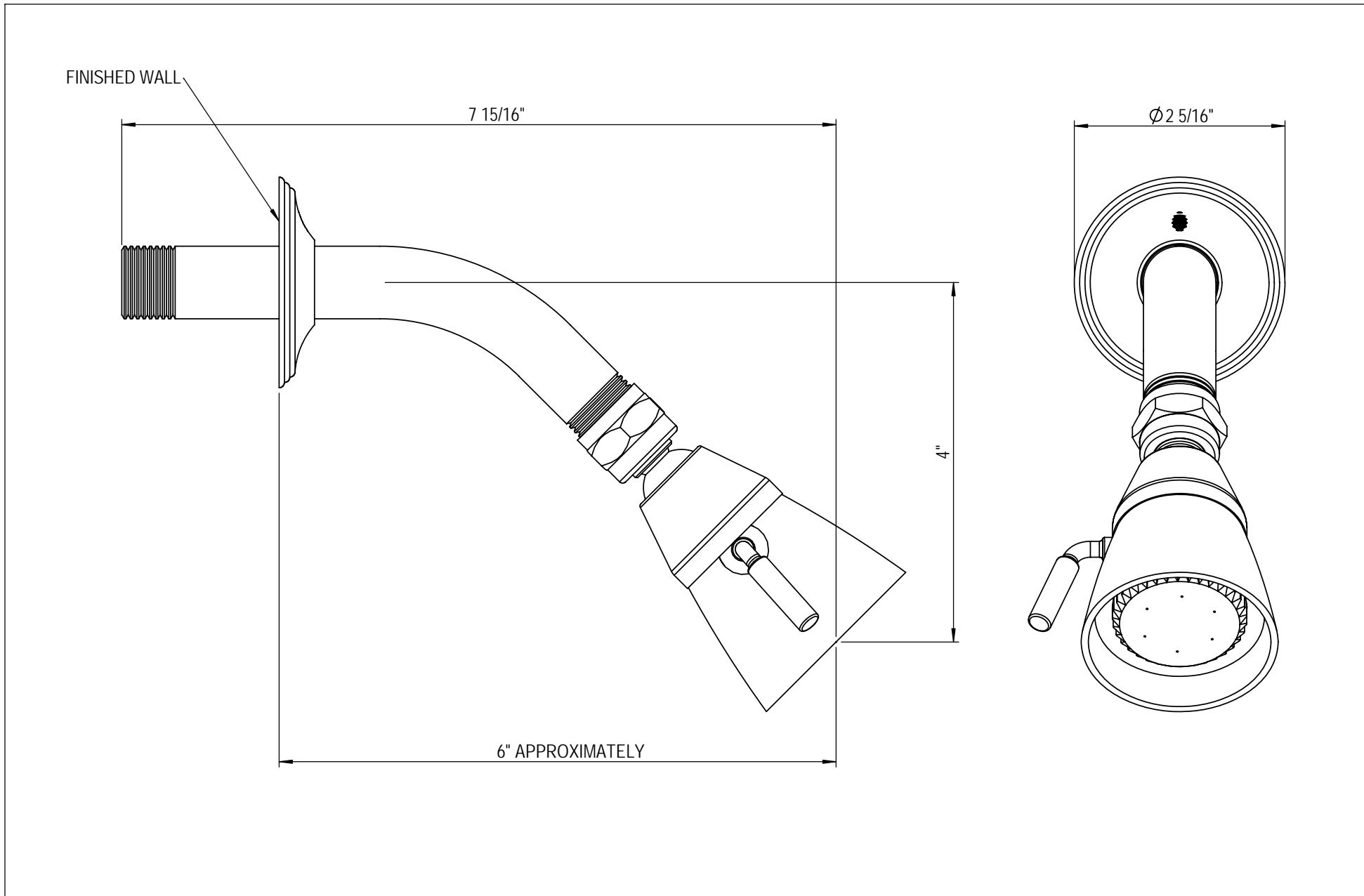


# Standard Single Function Shower Head & 6" Arm 4FRB002



TEL: 905-851-6781  
FAX: 905-851-8031  
TOLL FREE: 800-461-5901

**the RUBINET FAUCET COMPANY**

[www.rubinet.com](http://www.rubinet.com)