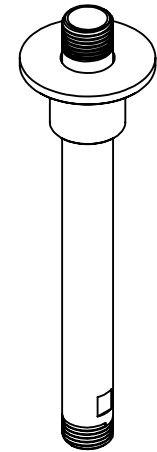
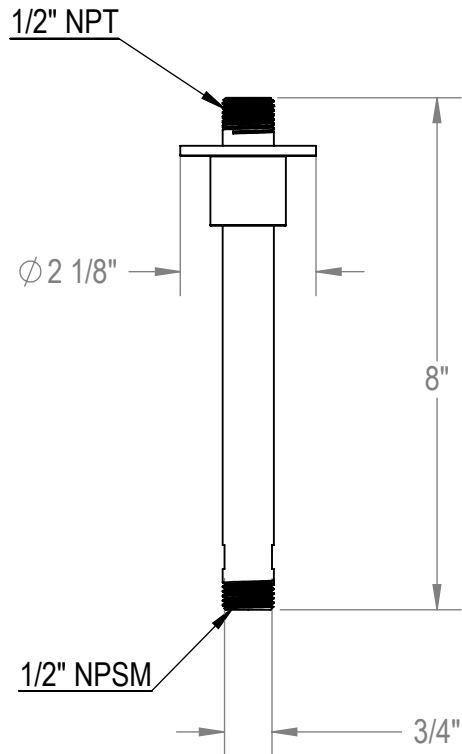


Shower Arm 8" Ceiling Mount 9YSHWSA6A



Brass construction

This product is manufactured to comply with:
- ASME A112.18.1/ CSA B125.1.05

REV.	DATE
A	8/19/2008

TEL: 905-851-6781
FAX: 905-851-8031
TOLL FREE: 800-461-5901

THE **Rubinet** FAUCET COMPANY

www.rubinet.com