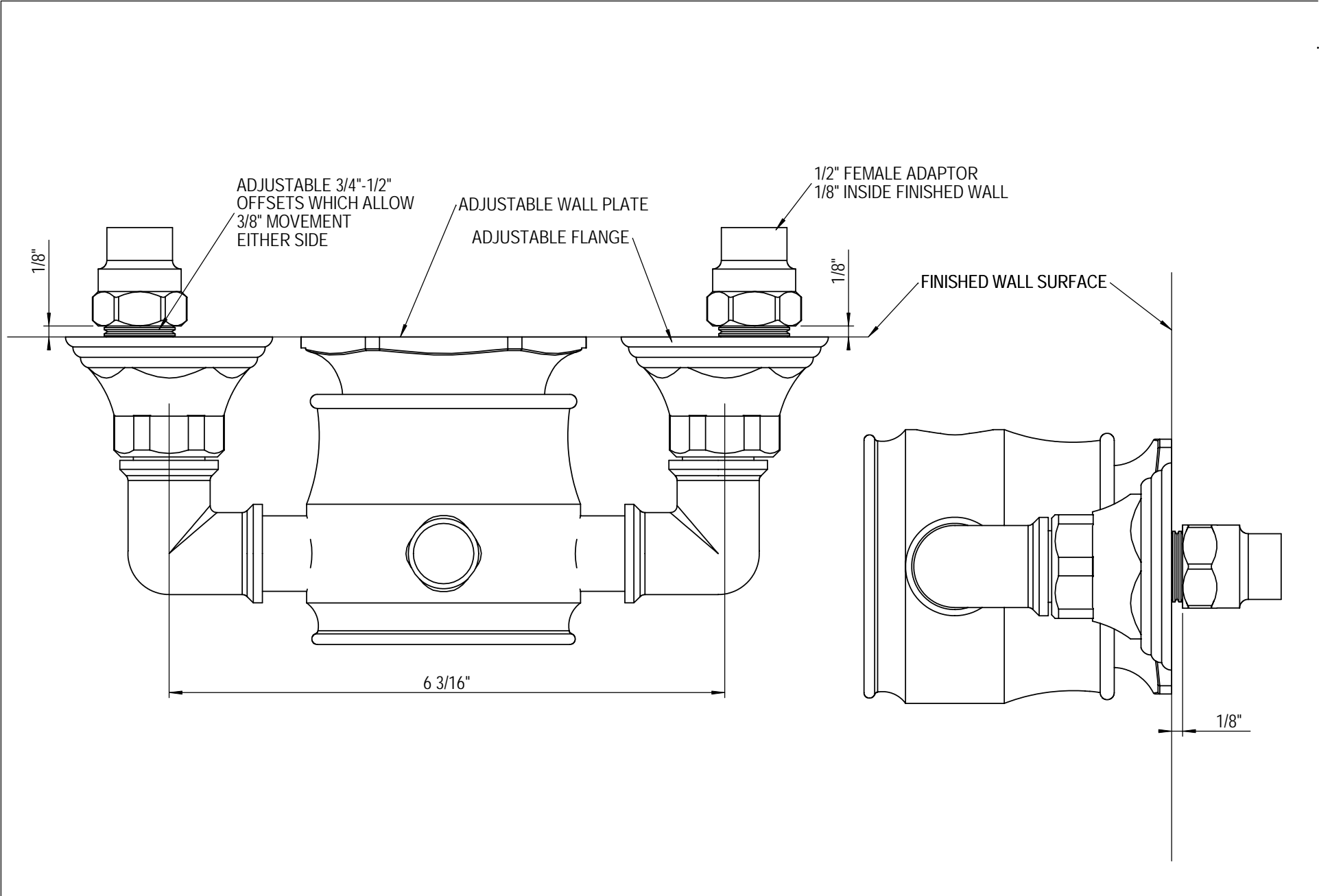


Fig.1

Fig.2

Install parts and sub-assemblies in the order shown (Fig.1). Cut tube (13) if necessary to suit your personal HEIGHT requirements. Critical dimension of the Shower Hoop are shown in (Fig.2)

Wall Mount Pressure Balance Shower 4WRB000



TEL: 905-851-6781
FAX: 905-851-8031
TOLL FREE: 800-461-5901

THE **Rubinet** FAUCET COMPANY

www.rubinet.com