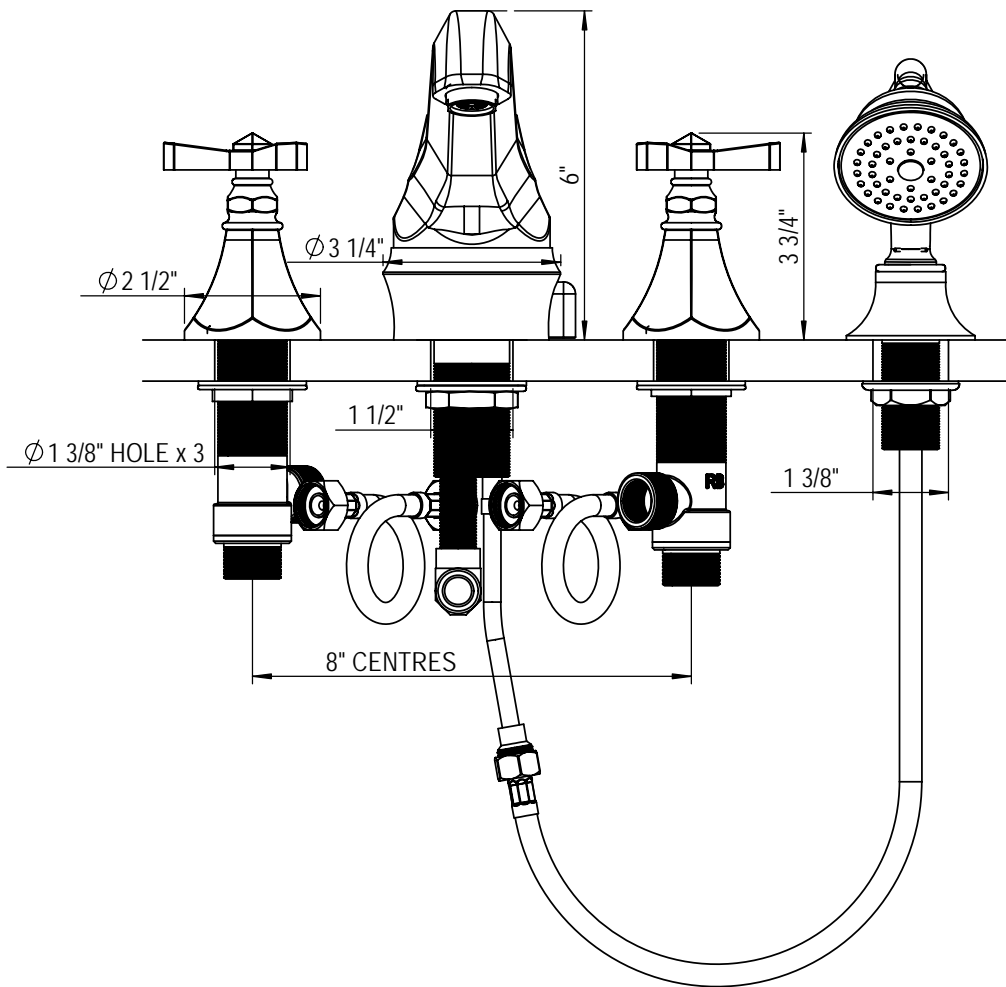
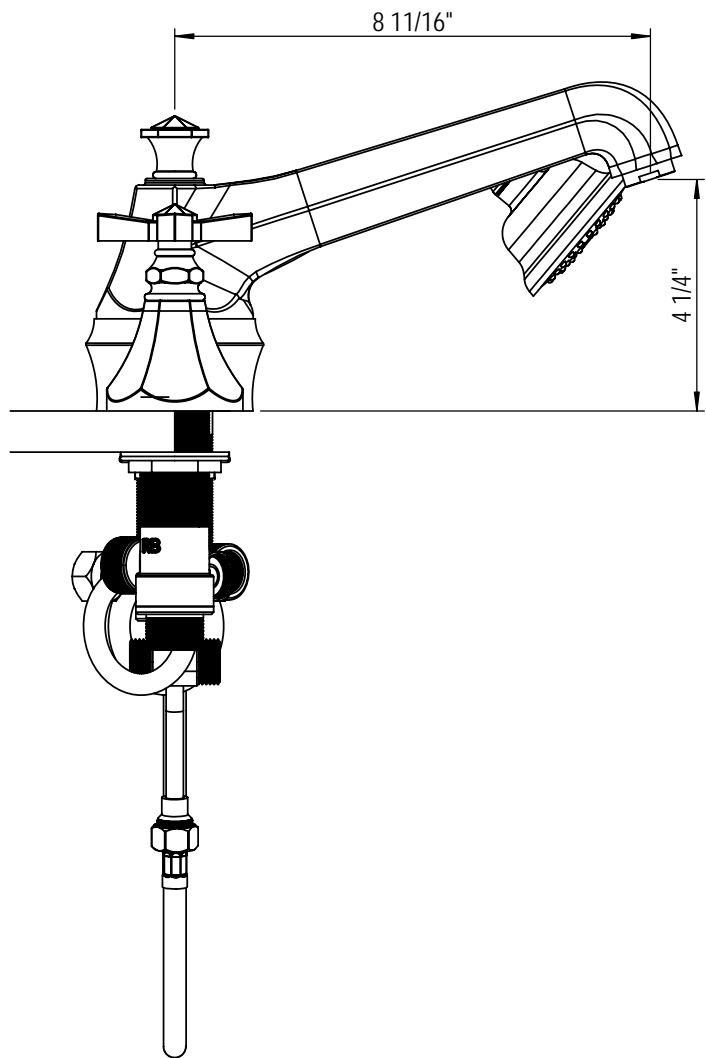


# 4 Piece Roman Tub Filler with Hand Held Shower (3/4" Valves) 5GRBHXC



TEL: 905-851-6781  
FAX: 905-851-8031  
TOLL FREE: 800-461-5901

the RUBINET FAUCET COMPANY

[www.rubinet.com](http://www.rubinet.com)

